

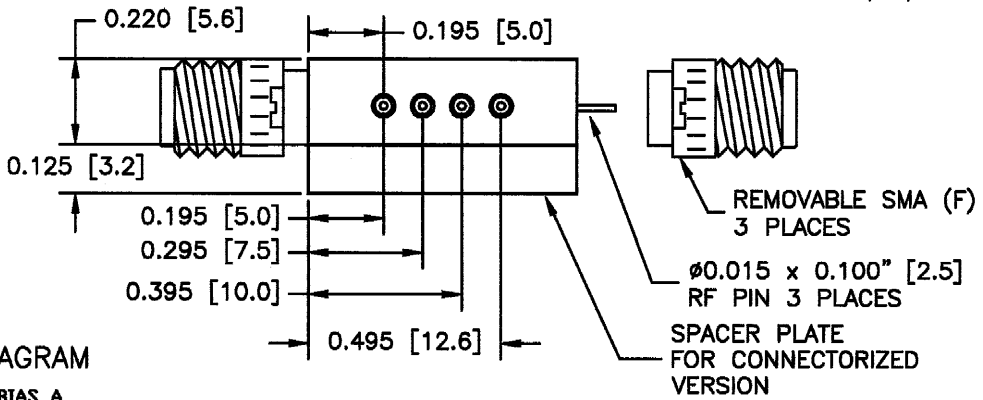
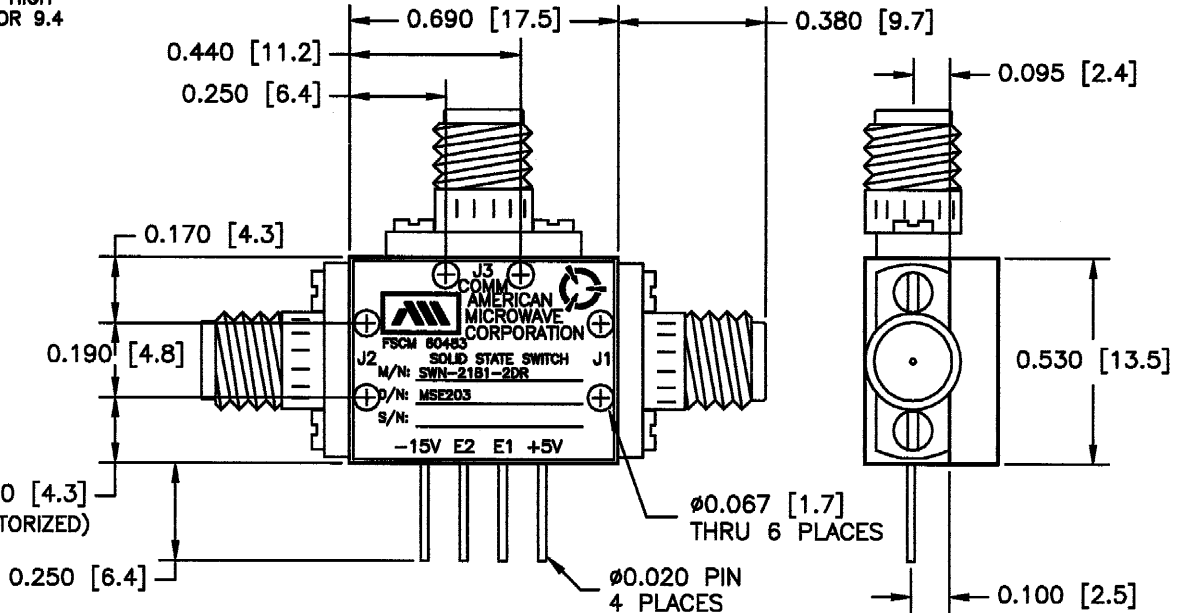
DESCRIPTION:

AMC MODEL SWN-2181-2DR OPTION MSE203 IS A SINGLE POLE TWO THROW HERMETICALLY SEALED, REFLECTIVE SWITCH MODULE WITH LOW INSERTION LOSS, HIGH ISOLATION, FAST SWITCHING TIMES AND WITH INTEGRAL TTL DRIVER, DESIGNED FOR 9.4 TO 9.8 GHz OPERATION.

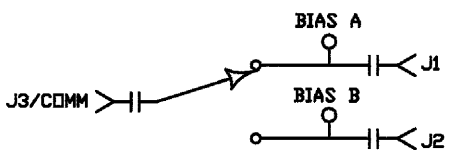
SPECIFICATIONS:

- FREQUENCY: 9.4 GHz TO 9.8 GHz
- INSERTION LOSS: 2.2 dB MAXIMUM
- ISOLATION: 60 dB MINIMUM
- VSWR (ALL PORTS): 2.0:1 MAXIMUM
- SWITCHING SPEED:
(50% TTL TO 90% RF) 100 ns MAXIMUM
- RF POWER: 20 dBm
(WITH 2 dB COMPRESSION)
- CONTROL: SEE LOGIC TABLE
- POWER SUPPLY: +5 VDC @ 100 mA MAXIMUM
..... -11 TO -15 VDC @ 50 mA MAXIMUM
- CONNECTORS (RF): REMOVABLE SMA FEMALE, 3 PLACES
- CONNECTORS (POWER): SOLDER PINS
- CONNECTORS (CONTROL): SOLDER PINS
- SIZE: 0.690" (L) x 0.530" (W) x 0.345" (H) (CONNECTORIZED)
..... 0.690" (L) x 0.530" (W) x 0.220" (H)
- WEIGHT: 1 OUNCE TYPICAL

REVISIONS				
ZONE	REV.	DESCRIPTION	DATE	APPROVED
		ORIGINAL RELEASE	12/17/99	



BLOCK DIAGRAM



NOTE:
DR=WITH DRIVER, REFLECTIVE

M/N = MANUFACTURER PART NUMBER
O/N = OPTION NUMBER
S/N = SERIAL NUMBER

ALL DIMENSIONS ARE IN INCHES
TOLERANCES:
X.XX ±0.020
X.XXX ±0.010

ENVIRONMENTAL RATINGS:

- TEMPERATURE: -54°C TO +100°C (OPERATING)
..... -65°C TO +125°C (STORAGE)
- HUMIDITY: MIL-STD-202F, METHOD 103B COND. B
- SHOCK: MIL-STD-202F, METHOD 213B COND. B
- VIBRATION: MIL-STD-202F, METHOD 204D COND. B
- ALTITUDE: MIL-STD-202F, METHOD 105C COND. B
- TEMPERATURE CYCLE: MIL-STD-202F, METHOD 107D COND. A

NOTE: THE ABOVE SPECIFICATIONS ARE SUBJECT TO CHANGE OR REVISION

LOGIC TABLE					
TERMINAL LEVEL		RF			
DASH	E1	E2	COMM/J3 - J1	COMM/J3 - J2	
1	L	H	INSERTION LOSS	ISOLATION	
	H	L	ISOLATION	INSERTION LOSS	
2	H	L	INSERTION LOSS	ISOLATION	
	L	H	ISOLATION	INSERTION LOSS	
3	L		INSERTION LOSS	ISOLATION	
	H		ISOLATION	INSERTION LOSS	
4	H		INSERTION LOSS	ISOLATION	
	L		ISOLATION	INSERTION LOSS	

LOGIC L = LOW (0)
LOGIC H = HIGH (1)

APPROVALS		DATE	TITLE	
DRAWN <i>WSP</i>		12/17/99	PRODUCT FEATURE SWN-2181-2DR OPTION MSE203	
CHECKED			SIZE	FSCM NO.
ISSUED			A	60483
			DWG NO.	100-5209
			SCALE	N/S
			SHEET	1 of 3